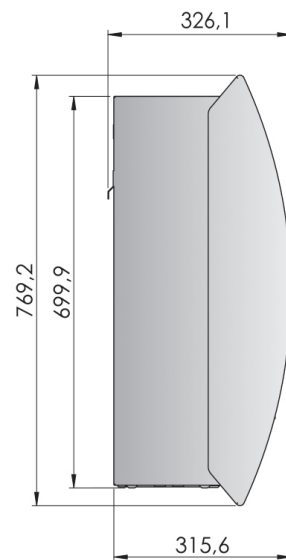
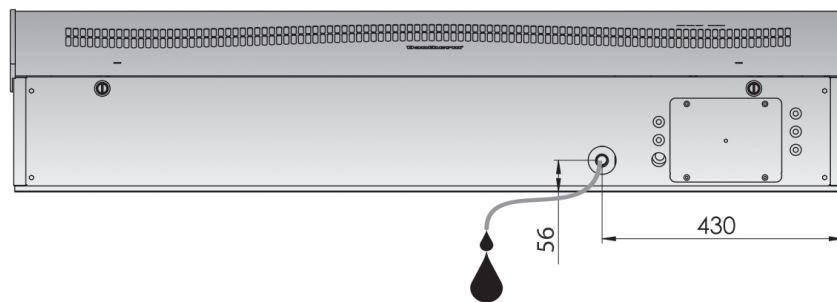
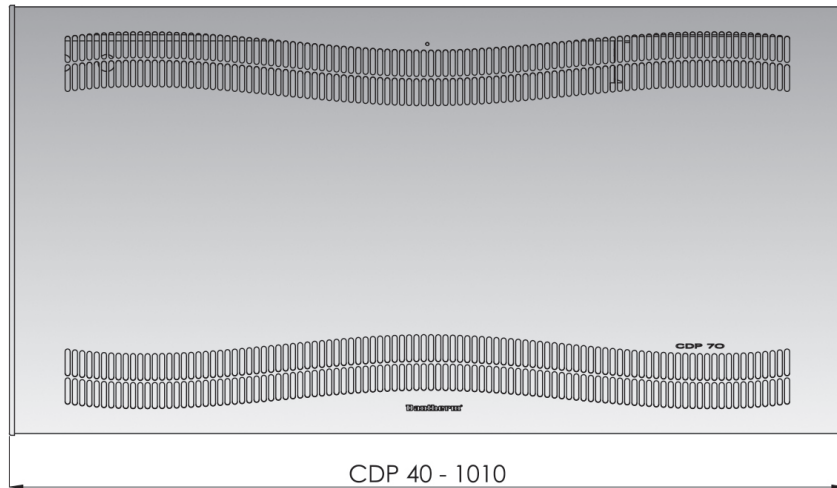
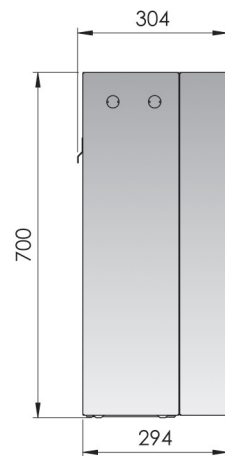
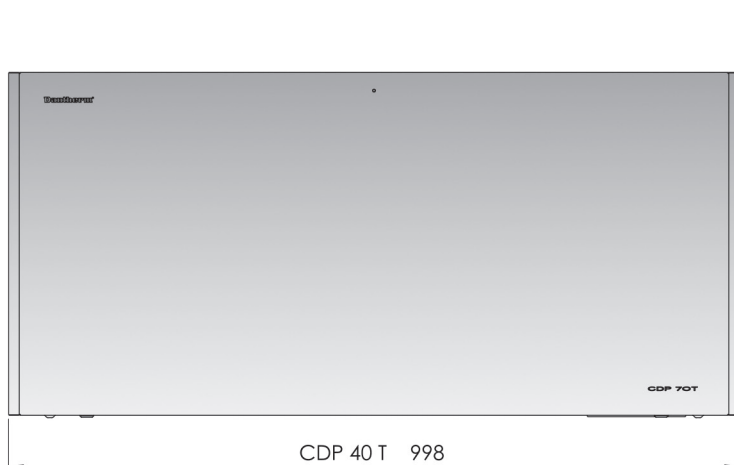
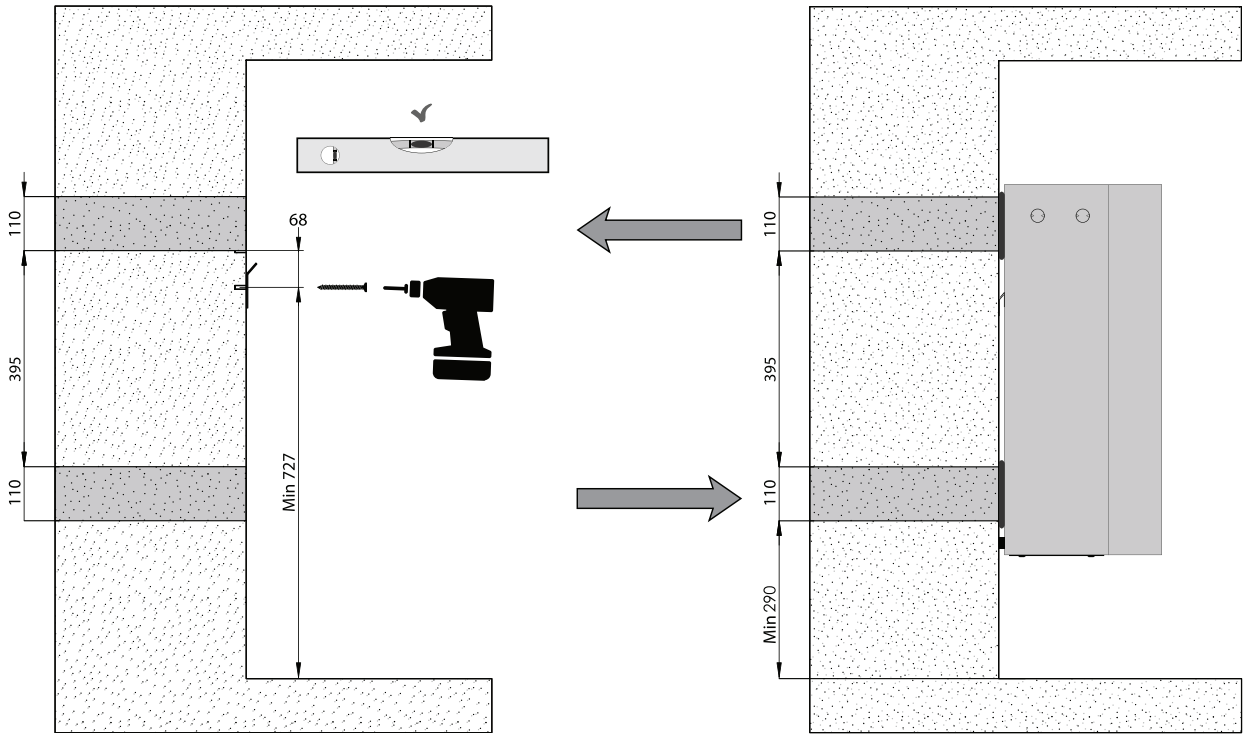
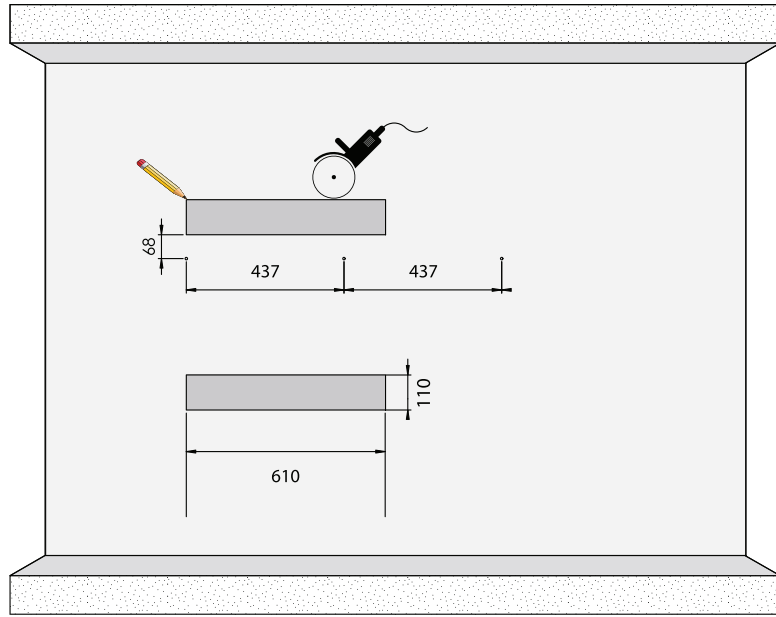


CDP 40 Plus Electric Heater Data Sheet

CDP 40 Wall mounted



CDP 40T Through the wall



CDP 40 Plus Electric Heater Specifications

Main Fan / Re-circulating	Model 40
Re-circulating air flow - nominal (m ³ /hr)	400
Dehumidification Duty (l/hr) @ 28°C/60% RH	
By heat pump	1.4

Heat To Air (kW)

Via Heat Pump @ 28°C/60% RH	1.6
Via LPHW @ 82°	N/A
Via Integral Electric Air Heater	2
Maximum Available Heat	2.66

Electrical & Sound Data

Nominal Power Consumed (kW)	2.66
Nominal Running current (Amp) 1ph	11.5
Fuse Required (Amp) 1ph	20
Noise Level @ 1m (dBA)*	46

*may differ for TTW models

Plumbing Requirements (where fitted)

LPHW (Boiler) Connections (mm)	N/A
LPHW (Boiler) Flow Rate (L/min)	N/A
Condensate drain (")	3/4"

Recommended Boiler output (kW)*

N/A

*only applicable with LPHW air heater option

Refrigerant charge

R407C

LPHW = Low Pressure Hot Water

TTW = Through The Wall (models)

📞 01993 777200 ✉ info@certikin.co.uk

www.certikin.co.uk

Certikin
FLUIDRA